

**M-PRO2**  
2 x 800 W  
1 x 1400 W (Bridge mode)



*M-PRO2 Power Amplifier Unit with two mid power channels, bridging to 1 high power channel possible*

The Pascal M-PRO2 is a dedicated power platform for 1 and 2-way self-powered loudspeakers. The M-PRO2 has two channels which can also be bridged for one powerful channel.



### Flexible Power Configuration

The Pascal M-PRO2 amplifier provides a flexible power configuration of 2 channels each delivering up to 800 Watt RMS. Possible applications are 2-way monitors or small line arrays. The M-PRO2 can be bridged into one powerful channel to power i.e. subwoofers.



### Fully Self-Protected

The amplifier module protection scheme is the most comprehensive in the pro audio industry and is designed after an audio-at-all-times principle. All relevant protection features have been implemented individually for the SMPS as well as for each amplifier channel ensuring high reliability.



### Unmatched Sonic Performance

Thanks to Pascal's proprietary UMAC™ Class-D technology, Pascal amplifier modules delivers unmatched audio specifications. This UMAC™ technology is the reason the Pascal M-PRO2 has the highest dynamic range and the lowest distortion in the pro audio industry.



### Advanced Readouts for DSP/Network

In addition to the conventional readouts and auxiliary power, the M-PRO2 offers a wide range of advanced real time readouts, such as voltage, current and temperature. This offers the possibility to fully interface to even the most advanced DSP- and network solutions.



### Universal Mains

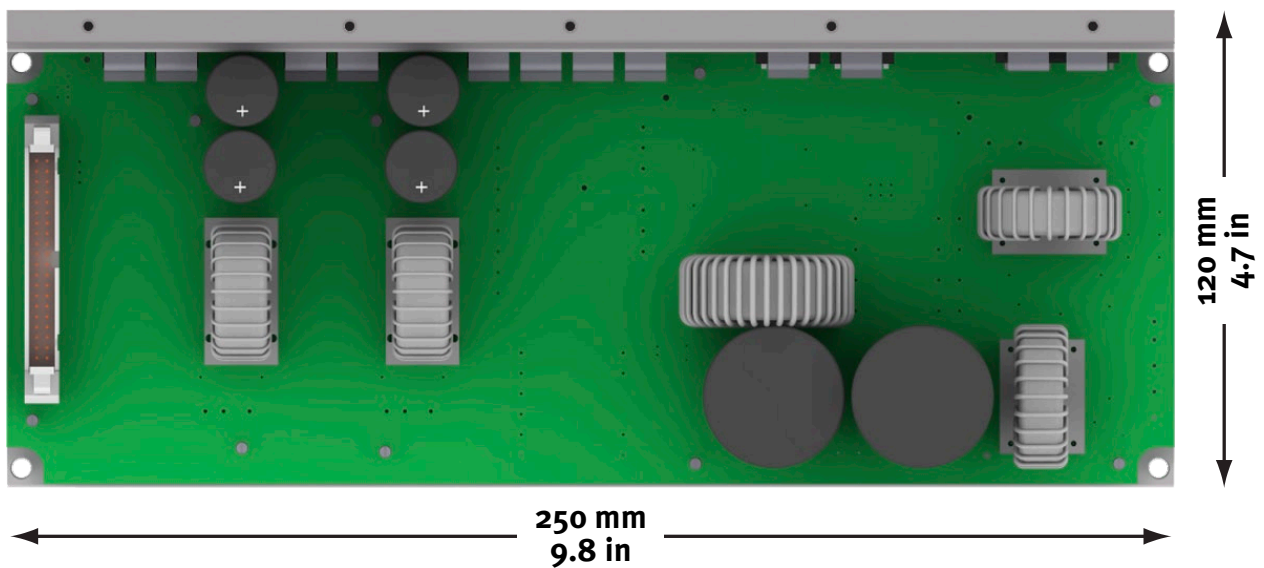
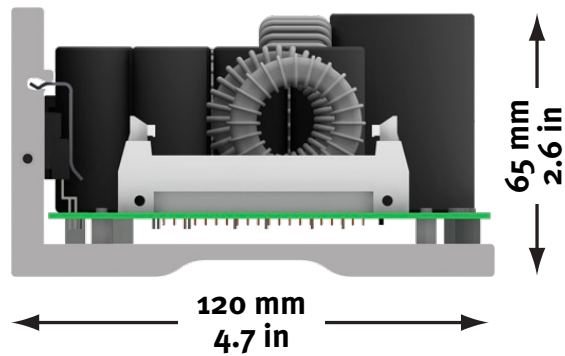
Pascal's UREC™ power supply technology integrated in Pascal amplifier modules provides universal mains operation for 120 V and 230 V, eliminating the need for market specific selfpowered loudspeakers and related reliability issues. The power supply is regulated delivering consistent power world-wide.



### Safety Approved - EMC Compliant

Pascal amplifier modules are safety approved and verified for EMC compliance. CB test certificates are available for easy market approval of the final selfpowered loudspeaker.

# Specifications:



## Power Ratings (RMS @ 1% THD @ 230Vac)

Load	16 Ω	8 Ω	4 Ω	Peak
Output power per channel	2 x 200 W	2 x 400 W	2 x 800 W	2 x 1600 W
Output power bridge mode	800 W	1400 W		3200 W
<b>Output Circuitry</b>	UMAC™ Class D - full bandwidth PWM modulator with ultra low distortion			
<b>Output Voltage</b>	80 V <sub>p</sub> / 160 V <sub>pp</sub> (unloaded) / Bridged 160 V <sub>p</sub> / 320 V <sub>pp</sub> (unloaded)			
<b>Amplifier Gain</b>	26 dB			
<b>Signal To Noise-Ratio</b>	> 120 dB (A-weighted, 20 Hz - 20 kHz, 8 Ω load)			
<b>THD+N (typical)</b>	< 0,05 % (20 Hz - 20 kHz, 8 Ω load, 3 dB below rated power)			
<b>Frequency Response</b>	20 Hz - 20 kHz ± 0,15 dB (8 Ω load, 1 dB below rated power)			
<b>Damping Factor</b>	> 1000 (8 Ω load, 1 kHz and below)			
<b>Protection Circuits</b>	Input limiter, short circuit protection, DC protection of output, under & over voltage protection, intelligent mains fuse protection, power stage overload protection, temperature protection of transformers and heat-sinks			
<b>Readouts for DSP/Network</b>	Protect/Disable (mute), Heatsink temperature, Clip (for each channel), Output voltage (for each channel), Output current (for each channel), SMPS Limit (power supply limiter)			
<b>Power Supply</b>	UREC™ universal & regulated switch mode power supply			
<b>Operation Voltage</b>	Universal Mains, 85-268V (dual voltage auto selection)			
<b>Control Options</b>	Sleep Mode (only +7 V live), Disable outputs (mute), Temperature reduction ON/OFF			
<b>Aux. Power for DSP</b>	±15 V (150 mA), +7 V (1 A, delivered by standby power supply)			
<b>Weight</b>	1,6 kg/3,5 lbs			

All specifications are typical values